

C A B I N E T R Y

WHITE SHAKER, BLACK CHERRY, NATURAL BIRCH(CRB)			
Price code	WS	BC	CRB
Cabinet Styles	Shaker Door (SH)		
DOOR FRONT	White shaker 2 3/8" MDF	Black cherry Wood, MDF	CRB Wood, Veneer
Door & Drawer Front Construction	DF – Drawer Front – 1 PC solid Door – 5 Pcs Mortise and Tenon		
Door Frame	WHITE SHAKER 2 3/8" MDF	SOLID MAPLE /BIRCH (BC ,CRB) 3 3/8"	
Door Center	MDF(white shaker)	1/4" MDF with Maple Veneer	
Face Frame	3/4" X 1 1/2" Solid wood (Mortise and Tenon)		
Door Overlay	1/2" Standard Overlay		CRB (NO)
Cabinet Side	1/2" select birch veneer plywood locked into face frame		
Cabinet Top and Bottom	1/2" select birch veneer plywood locked into back, sides face frame		
Interior	1/2" select birch veneer plywood with same color finish BC (NATURAL WOOD FINISH)		
Back	5/8" select birch veneer plywood with same finish interior, rebated into sides with dados for top and bottom		
Hinges	6-way adjustable concealed hinges with 107 degree opening. Soft close option available		
Adjustable Shelves	3/4" select birch veneer plywood adjustable shelves with same color finish, 10 1/2 depth on base and wall		
Drawer Box	Dovetail Front, sides and back are 5/8". select birch veneer plywood. Blind dado at front joint. Rabbet at rear joint – ultraviolet clear finish. Bottoms – 3/8" bottom interlocked into drawer box sides – ultraviolet clear finish.		
Drawer Slides	Epoxy Coated under mount slides (100 lb. Dynamic load) "tandem Type" soft close.		



CRB



HMP



BLACKC CHERRY



White Shaker


CABINET INFO

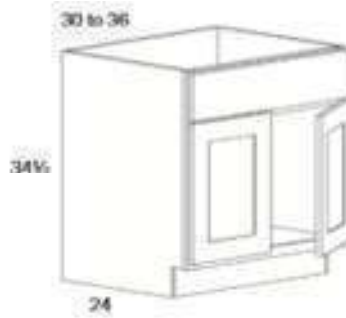
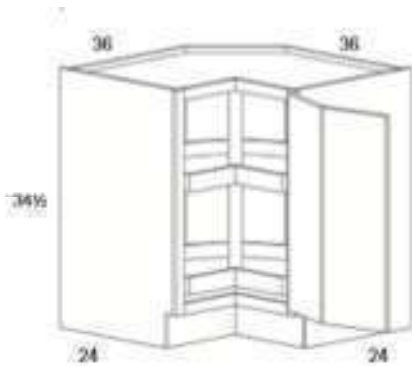
COLOR	Off White			Light grey		
CABINET STYLES	OWT RAISE PANEL	OWSH SHAKER		LGT RAISE PANEL	LGSH SHAKER	
Price Code	OWT	OWS		LGT	LGS	
Door & Drawer Front Construction	DF & Door 5 Pcs Mortise & Tenon			DF & Door 5 Pcs Mortise & Tenon		
Door Frame	2 7/8" Solid Maple/Birch	3" Solid Maple/Birch		3" Solid Maple / Birch		
Door Center	wood	wood		wood		
Face Frame	3/4" X 1 1/2" Solid Wood (Mortise & Tenon)					
Door Overlay	Full Overlay – 1 1/4" Left & Right – Top of wall, bottom of base and tall 7/8" reveal. Bottom of wall, top of base 3/8" reveal					
Cabinet Side	9/16" select birch veneer plywood locked into face frame					
Cabinet Top and Bottom	3/4" select birch veneer plywood with ultraviolet clear finish interlocked into back, sides and face frame					
Interior	same color finish					
Back	3/4" select birch veneer plywood adjustable shelves with same color finish, 10 1/2" deep on wall, 15 5/16" deep on base					
Hinges	6 – Way adjustable concealed soft close hinges with 107 degree opening					
Shelves	3/4" select birch veneer plywood adjustable shelves with same color finish, 10 1/2" deep on wall, 15" deep on base					
Drawer Box	Dovetailed Drawer Box Hybrid Dovetail, 5/8" solid maple/birch –dovetail at front joint-rabbit at rear joint – ultraviolet clear finish no finger joint material Bottoms – 3/4" bottoms interlocked into drawer box sides – ultraviolet clear finish					
Drawer Slides	"Tandem Type". Soft close, full extension, under mount. (75 lb. Dynamic load, 100 lb. Static load)					



BASE CABINETS

A = AVAILABLE X=NOT AVAILABLE

9" – 36" BASE	Item	*LGT	*WS	*OWT	*BC	*HMP	*CRB
	B09	A	A	A	A	A	A
	B12	A	A	A	A	A	A
	B15	A	A	A	A	A	A
	B18	A	A	A	A	A	A
	B21	A	A	A	A	A	A
	B24	A	A	A	A	A	A
	B27	A	A	A	A	A	A
	B30	A	A	A	A	A	A
	B33	A	A	A	A	A	A
	B36	A	A	A	A	A	A
	B42	A	X	A	X	X	X
	SB30	A	A	A	A	A	A
	SB33	A	A	A	A	A	A
	SB36	A	A	A	A	A	A
	LS36	A	A	A	A	A	A
	LS33	A	A	A	A	A	A
	CSB36	A	A	X	A	A	A
	CSB42	A	X	A	X	X	X
	9"SPICY RACK	A	A	A	A	A	A



WS: White Shaker Style

BC: Black Cherry Shaker Style

CRB: Natual Maple Shaker Style

HMP: Honey Maple Traditional Style

OWT: Off-White Traditional Style

LGT: Light Grey Traditional Style

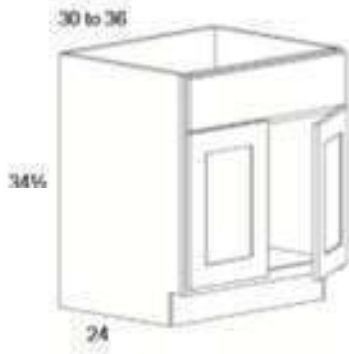
OWS: Off-White Shaker Style

LGS: Light Grey Shaker Style

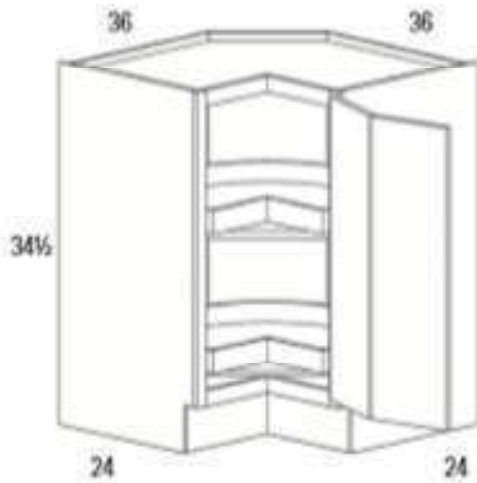
BASE CABINETS

A=AVAILABLE X= NOT AVAILABLE

15" – 36" BASE WITH 1 ROS



Item	LGT	OWT	CRB	HMP	BC
SB30	A	A	A	A	A
SB33	A	A	A	A	A
SB36	A	A	A	A	A
LS33	A	A	A	A	A
LS36	A	A	A	A	A
CSF36	A	X	A	A	A
CSF42	X	A	X	X	X



WS: White Shaker Style

BC: Black Cherry Shaker Style

CRB: Natural Maple Shaker Style

HMP: Honey Maple Traditional Style

OWT: Off-White Traditional Style

LGT: Light Grey Traditional Style

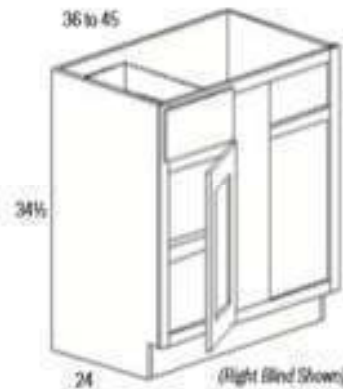
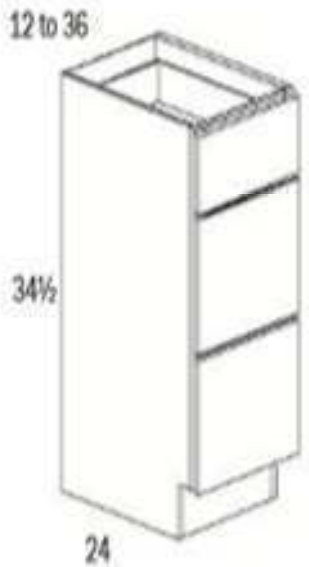
OWS: Off-White Shaker Style

LGT: Light Grey Shaker Style

BASE CABINETS

15" – 36" BASE WITH DRAWER	Item	LIGHT GREY	WHITE SHAKER	OFF WHITE	NATURAL MAPLE	HONEY MAPLE	BLACK CHERRY
		LGT	WS	OWT	CRB	HMP	BC
	DB12	A	A	A	A	A	A
	DB15	A	A	A	A	A	A
	DB18	A	A	A	A	A	A
	DB21	A	A	A	A	A	A
	DB24	A	A	A	A	A	A
	DB27	A	A	A	A	A	A
	DB30	A	A	A	A	A	A
	BBC36	A	A	A	A	A	A
	BBC42	A	A	A	A	A	A

BASE BLIND	Actual Cabinet	Frame Opening at Face	Max Exposed Stile	Min Pull	Max Pull
BBC36	36"	12"		3	6
BBC42	36"	18		3	6



WALL CABINETS

Items	*WS	*BC	*CRB	*HMP	*OWT	*LGT
W3012	A	A	A	A	A	A
W3312	A	A	A	A	A	A
W3612	A	A	A	A	A	A
W3015	A	A	A	A	A	A
W3315	A	A	A	A	A	A
W3615	A	A	A	A	A	A
W3018	A	A	A	A	A	A
W3618	A	A	A	A	A	A
WR3015	A	A	A	A	A	A
W3021	A	A	A	A	A	A
W3321	A	A	A	A	A	A
W3621	A	A	A	A	A	A
W361824	A	A	A	A	A	A
W362124	A	A	A	A	A	A
W362424	A	A	A	A	A	A

WS: White Shaker Style

BC: Black Cherry Shaker Style

CRB: Natual Maple Shaker Style

HMP: Honey Maple Traditional Style

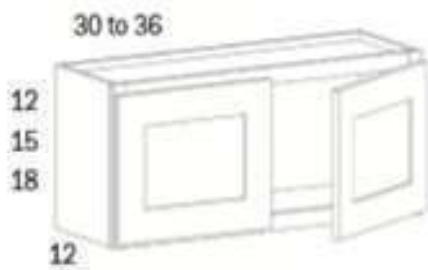
OWT: Off-White Traditional Style

LGT: Light Grey Traditional Style

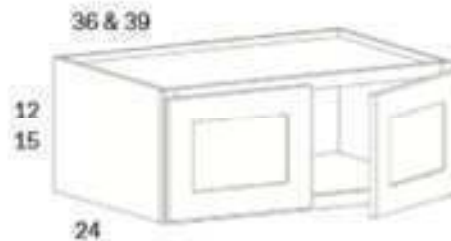
OWS: Off-White Shaker Style

LGS: Light Grey Shaker Style

OWS



LGS



WALL CABINETS

A=AVAILABLE X=NOT AVAILABLE

30" HIGH WALL 12" DEEP		WHITE SHAKER	BLACK CHERRY	NATURAL HONEY SHAKER	HONEY MAPLE	OFF WHITE	LIGHT GREY
		*WS	*BC	*CRB	*HMP	*OWT	*LGT
WS: White Shaker Style BC: Black Cherry Shaker Style CRB: Natual Shaker Style HMP: Honey Maple Traditional Style OWT: Off-White Traditional Style LGT: Light Grey Traditional Style	Item						
	W0930	A	A	A	A	A	A
	W1230	A	A	A	A	A	A
	W1530	A	A	A	A	A	A
	W1830	A	A	A	A	A	A
	W2130	A	A	A	A	A	A
	W2430	A	A	A	A	A	A
	W2730	A	A	A	A	A	A
	W3030	A	A	A	A	A	A
	W3330	A	A	A	A	A	A
	W3630	A	A	A	A	A	A
	WDC2430	A	A	A	A	A	A
	WBC2430	A	A	A	A	A	A
	WBC2730	A	A	A	A	A	A
	WBC3030	A	A	A	A	A	A

Cab ID	Actual Cabinet Width	Cab Face Size	Frame Opening at Face	Max Exposed Stile	Min Pull	Max Pull
WBC2430	24"	18"	15"	7"	0"	6"
WBC2730	27"	12"	9"	7"	0"	6"
WBC3030	30"	18"	15"	7"	0"	6"



WALL CABINETS

A=AVAILABLE X=NOT AVAILABLE

30" HIGH WALL 12" DEEP		WHITE SHAKER	BLACK CHERRY	NATURAL SHAKER	HONEY MAPLE	OFF WHITE	LIGHT GREY
Item	*WS	*BC	*CRB	*HMP	*OWT	*LGT	
W0936	A	A	A	A	X	X	
W1236	A	A	A	A	X	X	
W1536	A	A	A	A	X	X	
W1836	A	A	A	A	X	X	
W2136	A	A	A	A	X	X	
W2436	A	A	A	A	X	X	
W2736	A	A	A	A	X	X	
W3036	A	A	A	A	X	X	
W3336	A	A	A	A	X	X	
W3636	A	A	A	A	X	X	
WDC2436	A	A	A	A	X	X	
WBC2436	A	A	A	A	X	X	
WBC2736	A	A	A	A	X	X	
WBC3036	A	A	A	A	X	X	



WS: White Shaker Style
BC: Black Cherry Shaker Style
CRB: Natual Shaker Style
HMP: Honey Maple Traditional Style
OWT: Off-White Traditional Style
LGT: Light Grey Traditional Style

Cab ID	Actual Cabinet	Cab Face Size	Frame Opening at Face	Max Exposed Stile	Min Pull	Max Pull
WBC2436	24"	12"	9"	7"	0"	6"
WBC2736	27"	12"	9"	7"	0"	6"
WBC3036	30"	18"	15"	7"	0"	6"



WALL CABINETS

A=AVAILABLE X=NOT AVAILABLE

30" HIGH WALL 12" DEEP		WHITE SHAKER	BLACK CHERRY	NATURAL SHAKER	HONEY MAPLE	OFF WHITE	LIGHT GREY
Item		*WS	*BC	*CRB	*HMP	*OWT	*LGT
	W0940	A	A	A	A	A	A
	W1240	A	A	A	A	A	A
	W1540	A	A	A	A	A	A
	W1840	A	A	A	A	A	A
	W2140	A	A	A	A	A	A
	W2440	A	A	A	A	A	A
	W2740	A	A	A	A	A	A
	W3040	A	A	A	A	A	A
	W3340	A	A	A	A	A	A
	W3640	A	A	A	A	A	A
	WDC2440	A	A	A	A	A	A
	WBC2440	A	A	A	A	A	A
	WBC2740	A	A	A	A	A	A
	WBC3040	A	A	A	A	A	A

Cab ID	Actual Cabinet Width	Cab Face Size	Frame Opening at Face	Max Exposed Stile	Min Pull	Max Pull
WBC2440	24"	12"	9"	7"	0"	6"
WBC2740	27"	12"	9"	7"	0"	6"
WBC3040	30"	18"	15"	7"	0"	6"



WS: White Shaker Style

BC: Black Cherry Shaker Style

CRB: Natual Shaker Style

HMP: Honey Maple Traditional Style

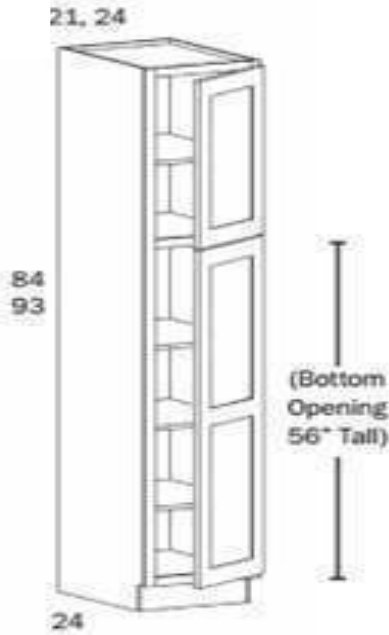
OWT: Off-White Traditional Style

LGT: Light Grey Traditional Style

TALL PANTRY CABINETS

A = AVAILABLE X=NOT AVAILABLE

Tall Pantry Cabinets 84" and 94"	Item	LIGHT GREY	White SHAKER	off white PANEL	Black cherry SHAKER	Honey Maple, PANEL	CRB SHAKER
		*LGT	*WS	*OWT	*BC	*HMP	*CRB
84" Tall Pantry Single Door							
PC1884	A	A	A	A	A	A	A
94" Tall Pantry Single Door							
PC1894	A	A	A	A	A	A	A



NOTE : Single door cabinets with door styles that have solid wood center door panels are limited to 21" maximum width.

WS: White Shaker Style

BC: Black Cherry Shaker Style

CRB: Natural Shaker Style

HMP: Honey Maple Traditional Style

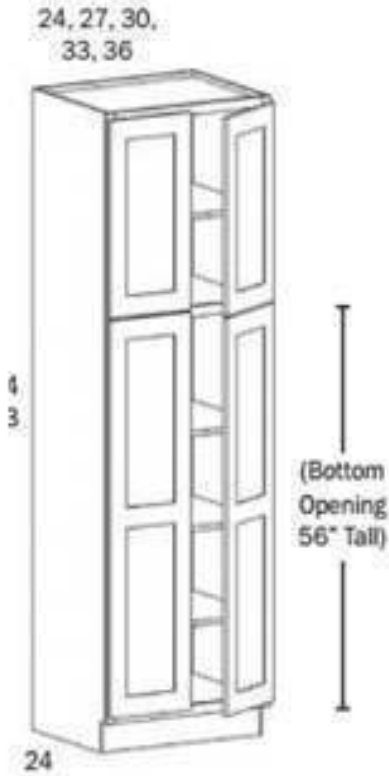
OWT: Off-White Traditional Style

LGT: Light Grey Traditional Style

TALL PANTRY CABINETS

A = AVAILABLE X=NOT AVAILABLE

Tall Pantry Cabinets 84" and 94"	Item	LIGHT GREY	White SHAKER	off white PANEL	Black cherry SHAKER	Honey Maple, PANEL	CRB SHAKER
		*LGT	*WS	*OWT	*BC	*HMP	*CRB
84" Tall Pantry Paired Door							
PC2484	A	A	A	A	A	A	A
PC3084	A	A	A	A	A	A	A
94" Tall Pantry Paired Door							
PC2494	A	A	A	A	A	A	A
PC3094	A	A	A	A	A	A	A



WS: White Shaker Style

BC: Black Cherry Shaker Style

CRB: Natual Shaker Style

HMP: Honey Maple Traditional Style

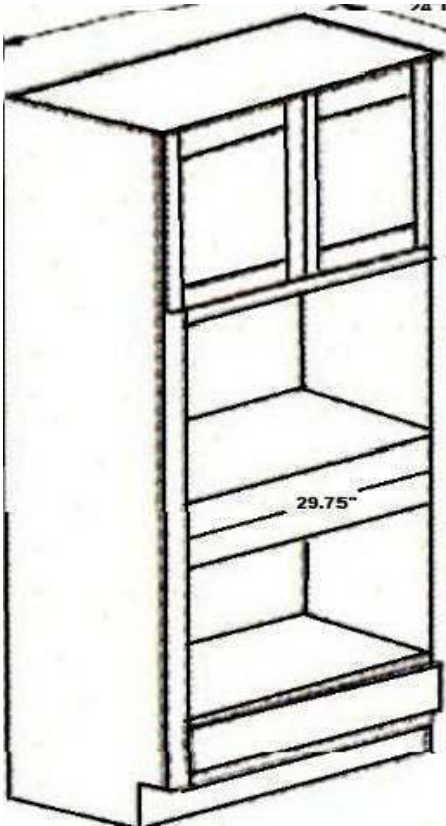
OWT: Off-White Traditional Style

LGT: Light Grey Traditional Style

TALL MICROWAVE CABINETS

A = AVAILABLE X=NOT AVAILABLE

Tall Microwave Cabinets 84" and 94"	Item	LIGHT GREY	White SHAKER	off white PANEL	Black cherry, SHAKER	Honey Maple, PANEL	CRB SHAKER
		*LGT	*WS	*OWT	*BC	*HMP	*CRB
	OM3384	A	A	A	A	A	A
	OM3390	A	A	A	A	A	A
	OM3394	A	A	A	A	A	A



WS: White Shaker Style

BC: Black Cherry Shaker Style

CRB: Natural Shaker Style

HMP: Honey Maple Traditional Style

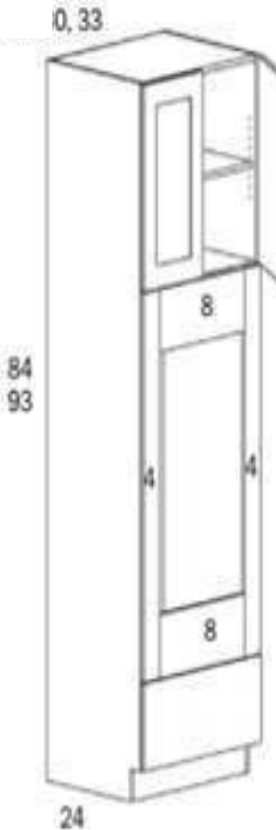
OWT: Off-White Traditional Style

LGT: Light Grey Traditional Style

TALL OVEN CABINETS

A = AVAILABLE X=NOT AVAILABLE

Toll Oven Cabinet	Item	LIGHT GREY	White SHAKER	off white PANEL	Black cherry SHAKER	Honey Maple, PANEL	CRB SHAKER
		*LGT	*WS	*OWT	*BC	*HMP	*CRB
	OM3384	A	A	A	A	A	A
	OM3394	A	A	A	A	A	A



WS: White Shaker Style

BC: Black Cherry Shaker Style

CRB: Natual Shaker Style

HMP: Honey Maple Traditional

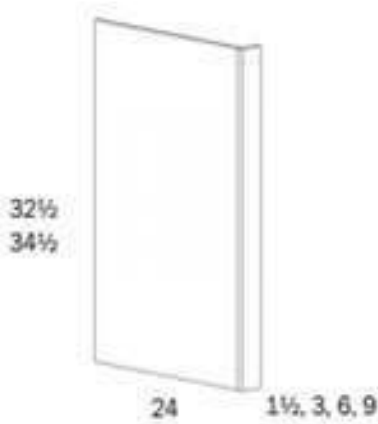
OWT: Off-White Traditional Style

LGT: Light Grey Traditional Style

Base and Tall Panels

A=AVAILABLE X=NOT AVAILABLE

		WHITE SHAKER	BLACK CHERRY	NATURAL SHAKER	HONEY MAPLE	OFF WHITE	LIGHT GREY
Base End Panel W/3" Wood Return	Item	*WS	*BC	*CRB	*HMP	*OWT	*LGT
	BEP	A	A	A	A	A	A



Trim to height as required

*Panel is finished both sides

		WHITE SHAKER	BLACK CHERRY	NATURAL SHAKER	HONEY MAPLE	OFF WHITE	LIGHT GREY
Tall End Panel - 24" D W/ 1 1/2" Wood	Item	*WS	*BC	*CRB	*HMP	*OWT	*LGT
	TEP-24	A	A	A	A	A	A



*Note 1 - TEP 24 & TEP 30 - 1/2" plywood with 1 1/2" solid wood frame

8" LONG TRIM & MOULDING

Item	*LGT	*WS	*OWT	*BC	*HMP	*CRB
Crown Moulding 1-1/4" T x96"L -- CM8 1-1/4"	A	A	A	A	A	A
Crown Moulding 2-1/4" T x96"L -- CM8 2-1/4"	A	A	A	A	A	A
Crown Moulding 3-1/4" T x96"L -- CM8 3-1/4"	A	A	A	A	A	A
Crown Moulding 4-1/4" T x96"L -- LCM8 4-1/4"	A	A	X	X	X	X
Light Rail Moulding 96"L -- LM8	A	A	A	A	A	A
Outside Corner Moulding 96"L -- OM8	A	A	A	A	A	A
Scribe Moulding 96"L -- SM8	A	A	A	A	A	A
Toe Lick 96"L -- TK8	A	A	A	A	A	A
Base Filler 3"W x 34 1/2"H x 5/8 D Wood -- BF336	A	A	A	A	A	A
Wall Filler 3"W x 30 H x 5/8 D Wood -- WF330	A	A	A	A	A	A
Wall Filler 3"W x 36 H x 5/8 D Wood -- WF336	A	A	A	A	A	A
Wall Filler 3"W x 40 H x 5/8 D Wood -- WF340	A	A	A	A	A	A

WS: White Shaker Style

BC: Black Cherry Shaker Style

CRB: Natural Shaker Style

HMP: Honey Maple Traditional Style

OWT: Off-White Traditional Style

LGT: Light Grey Traditional Style

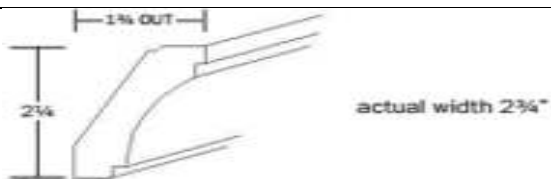
8' LONG TRIM & MOULDING

3/4 X 1" CAP MOULD	Item	A	B	C	D	E	F	G
	CAP	A	A	A	A	A	A	A

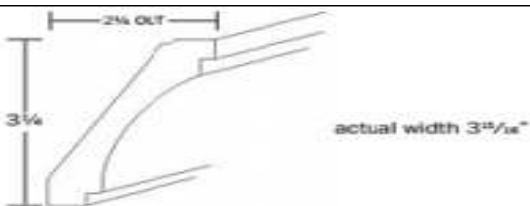
1 1/4 CROWN	Item	A	B	C	D	E	F	G
	CR1	A	A	A	A	A	A	A



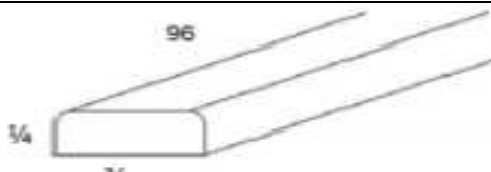
2 1/4 CROWN	Item	A	B	C	D	E	F	G
	CR2	A	A	A	A	A	A	A



3 1/4 CROWN	Item	A	B	C	D	E	F	G
	CR3	A	A	A	A	A	A	A



SCRIBE	Item	A	B	C	D	E	F	G
	SCRIBE	A	A	A	A	A	A	A



SMALL OUTSIDE CORNER	Item	A	B	C	D	E	F	G
	OCM-S	A	A	A	A	A	A	A

